



Anderson Instrument Co., Inc.

156 Auriesville Road
Fultonville, NY 12072

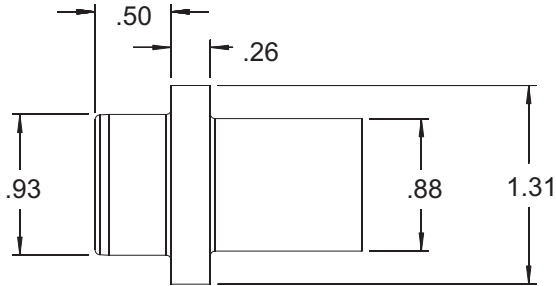
Phone: 518-922-5315 or 800-833-0081

Fax: 518-922-8997 or 800-726-6733

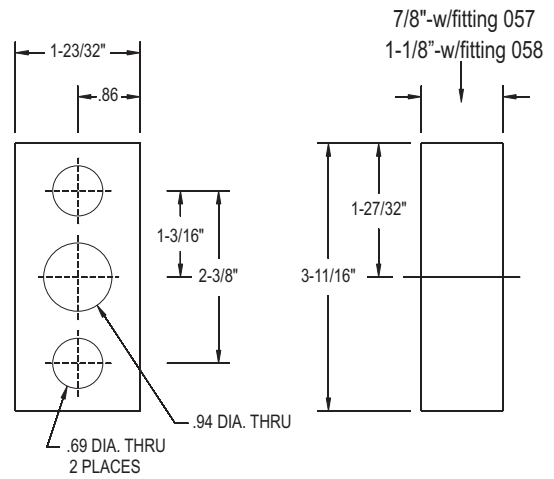
Technical Bulletin

High Pressure Fittings

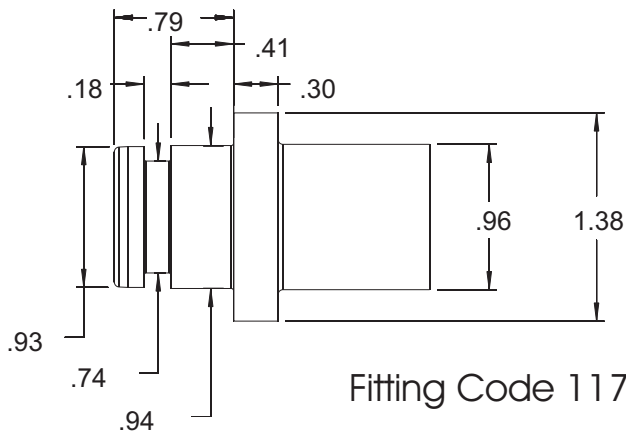
Common High Pressure Fitting



Fitting Code 056 Homogenizer (less flange),
057 Homogenizer (7/8" flange),
058 Homogenizer (1-1/8" flange)

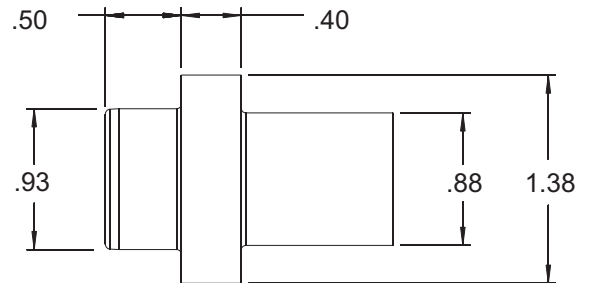


APV/Rannie



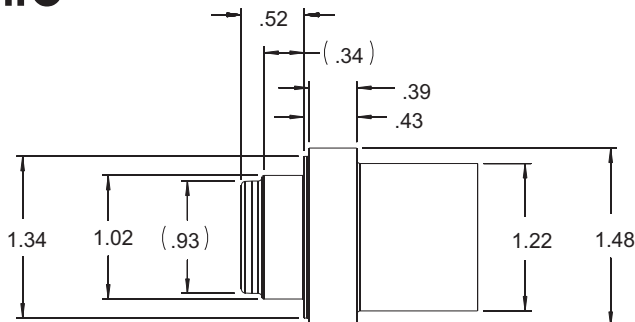
Fitting Code 117

Tetra Pak & Bran & Luebbe



Fitting Code 118

Niro



Fitting Code 157

All dimensions in inches