



FLOW
LEVEL
PRESSURE
ANALYTICAL
TEMPERATURE
INSTRUMENTATION
PASTEURIZATION CONTROLS

Liqui-Track Tank Level Monitoring Systems

FEATURES:

- Accurate conversion of tank levels to inventory management data
- Seamless interface of data to plant-wide control system
- Local display and host PLC that always agree

A complete system that provides the accurate inventory data you need to optimize production along with a foolproof way to interface with your host PLC. The Anderson Liqui-Track Level Monitor does this by incorporating industry standard components and proven tank level scaling software to measure virtually any liquid product in any storage vessel. The Liqui-Track 800 is available as either a four or eight channel system and comes standard with relay outputs and a display capable of indicating four tank levels simultaneously. For larger applications, the Liqui-Track 3200 system can handle up to 32 vessels and can be equipped with relay outputs and a color display capable of displaying eight tank levels at a time. The Anderson Liqui-Track Level Monitor is housed in a single NEMA 4X stainless steel enclosure and may be connected to one or more optional Remote Displays.

display including the tank and product names, tank capacity, alarms status and, of course, current tank level in user selectable volumetric or weight units. The operator utilizes the display to select tanks contents from a simple menu of products. All of this information is readily available for plant-wide distributions via one of the communication protocols, including; RS-232, DH-485, DH+, Ethernet, DeviceNet or Modbus Plus.

Along with our proven level sensors, this system provides a single source solution for you inventory management needs – right down to the installation and wet calibration services we provide via our network of factory authorized technicians.

Complete specifications and ordering information are available on the reverse. For more information please visit our Web Site at www.andinst.com, or contact your local Authorized Anderson Distributor.

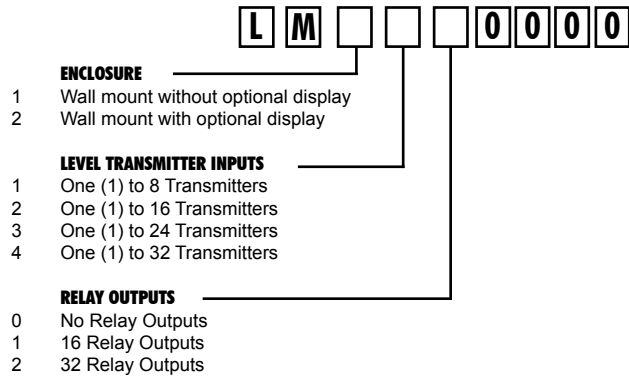
All pertinent data is visible via the

APPLICATIONS

- Dairy Silos
- Liquid Sugar
- Farm Bulk Tanks
- Syrup Tanks



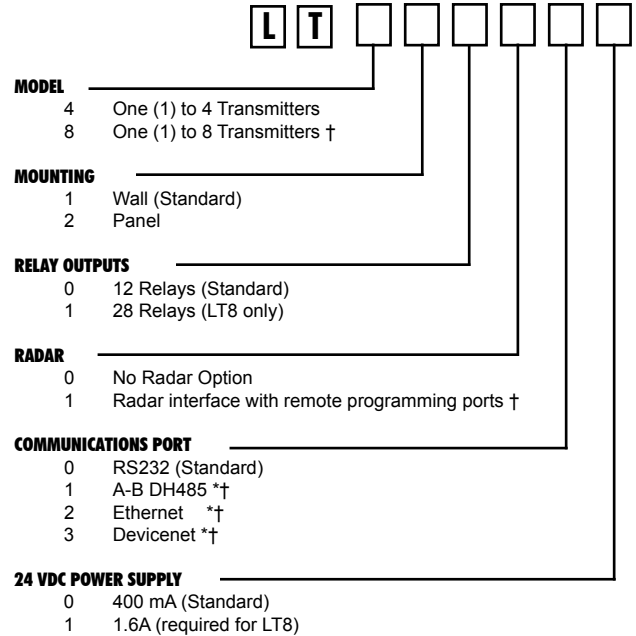
Complete Product Ordering Matrix



OPTIONS

56117B0002	Color display with keypad (Remote)
5613300001	Above mounted in NEMA 4X SS. enclosure
56115B0022	Expansion kit - Inputs 9-16
56115B0032	Expansion kit - Inputs 17-24
56115B0042	Expansion kit - Inputs 25-32
56115B0011	Relay kit - Outputs 1-16
56115B0021	Relay kit - Outputs 17-32
Call Factory	Ethernet Communications

Note: Consult factory for information pertaining to data requirements prior to order placement.



* Please allow an extra two weeks for delivery.

† 1.6A power supply required.

GENERAL SPECIFICATIONS

Liqui-Track 3200

Enclosure

Material: 304 Stainless Steel
 Ratings: NEMA 4X/IP65
 Mounting: Wall mount standard, Panel mount optional

Electrical

Power: 110 volts AC
 Inputs: Up to 32, 4-20mA; Loop power supplied
 Alarms: 3 per channel, programmable (2 low, 1 high)
 Outputs: Assignable to AC outputs or available to host PLC via DH+
 Up to 32 AC powered alarm outputs; 110V at 2.5 amps
 RS-232 serial connection (for computer upload/download)
 DH+ (Allen-Bradley "Blue Hose" network)

Display

Type: Panelview 1000 series color display (Allen-Bradley) with integral keypad
 Channels: 8 per screen, 32 channels maximum
 Engineering Units: Gallons, pounds, liters, or kilograms
 Typical Channel: Bar-graph for approximate % of liquid in vessel
 Actual volume or weight in vessel
 Tank Name
 Product Name with Specific Gravity
 Total capacity of vessel
 Offset (volume below sensor, if any)

Liqui-Track 800

Electrical

Operating Voltage: 100-240 VAC
 Power Supplies: 24 VDC at 250 mA standard with 4 channel unit
 24 VDC at 1.6A supplied with 8 channel, and Radar capable units
 Inputs: 4 (standard) or 8 (optional) 4-20mA current loops
 Accuracy: ±0.3% of full scale
 Outputs: Twelve (12) normally open relay contacts standard
 Additional sixteen (16) normally open contacts optional
 Display: PanelView 300 Micro terminal display (Allen-Bradley)
 Communications: Standard RS-232 with optional Ethernet, DH-485 or Devicenet modules

Mechanical

Material: 304 Stainless Steel Enclosure
 Ratings: NEMA 4X/IP65
 Mounting: Wall mount standard, panel mount optional
 Dimensions: 16" H x 16" W x 6" D (4064mm x 4064mm x 1524mm)
 Penetrations: Seven 7/8" penetrations in bottom supplied with rubber grommets
 Weight: less than 30 lbs

Environmental

Operating Temperature Range: 32° to 122°F (0° to 50°C)
 Relative Humidity: 5% to 95% non condensing